



395

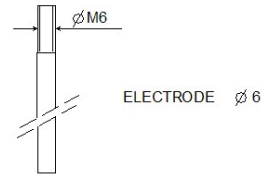
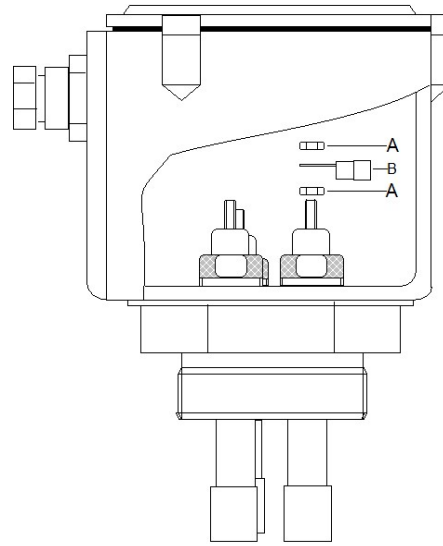
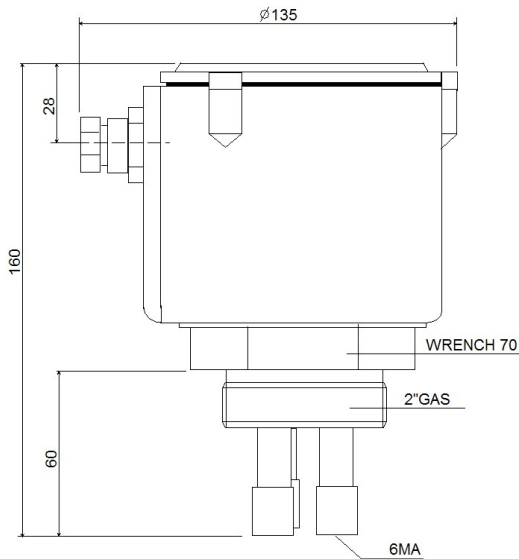
TRIPLE ELECTRODE PROBE WITH CERAMICS INSULATING



DESCRIPTION

- **Sensor working:** conductive
- **Probe body:** stainless steel – AISI 303
- **Insulator:** allumina (Al₂O₃)
- **Thread:** 2" GAS
- **Electrode:** 3 electrodes stainless steel AISI 303 Ø 6MA L=60mm
- **Temperature:** 250°C on the electrode
- **Pressure:** 25 bar
- **Protection class:** IP55
- **Weight:** 1,30 Kg

MECHANICAL DIMENSIONS



CODICI DI ORDINAZIONE

CODE	TEMPERATURE	PRESSURE	THREAD	ELECTRODE-HOLDER	PROTECTION	NOTES
395-010-00	250 °C	25 bar	2" stainless steel	#3 stainless steel	IP55 Alluminium	

ACCESSORIES

CODE	DESCRIPTION	NOTES
999-003-00	AISI 304 stainless steel electrode Φ= 5.2 mm thread= 6 MA length = 1000 mm	
999-005-00	AISI 316 stainless steel electrode Φ= 6 mm thread= 6 MA length = 1000 mm	

Informations provided herein can be changed without notice.

[395_010_00_E_CAT.doc] gen - 10